



GA-400 Series

Gravimetric All Fed

Auto-Disc™ Model GA-403



GA-403 equipped with CB-100 loading system and HL-020, HL-030, and HL-040 loaders



Additional top castings available for quick color changes

Simplicity and Modularity for Total Blending Convenience.

GA-400 series systems feature a unique design consisting of up to six Auto-Disc™ feeders discharging into a rugged, transparent buffer hopper with a built-in ultrasonic level switch. Our GA-400 series systems meter material, in real time, directly on the machine throat or alternatively mounted on a cart or barrel stand for off-line blending, to provide a versatile homogeneous blend. Optionally, they can also be preset for batch feeding up to 3000 lbs (1400 kg) into a barrel in a hassle-free set-it-and-forget-it fashion. All GA models feed up to 800 lbs (360 kg) of material per hour. The GA-402 is a 2-component system (1 metered natural resin and 1 metered ingredient); the GA-403 is a 3-component system (1 metered natural resin and 2 metered ingredients); and the GA-404 is a 4-component system (1 metered natural resin and 3 metered ingredients). A completely modular design allows for easy expansion from a 2-component system up to a 4 component system.

GA series gravimetric all fed systems have completely self-contained push-button calibration, recipes, and security settings at your fingertips. All models fit right onto virtually any injection, extrusion, and blow molding process.

Standard Features

- Handles all pellet types and regrind
- Automatic calibration system
- Integrated material low-level sensors
- Quick-access top housings for lightning-fast color changes
- Control unit with 80-character alphanumeric LCD display
- Stores up to 250 custom recipes
- Material usage totalizer
- Multi-language operating system



GA-400 Series Lineup

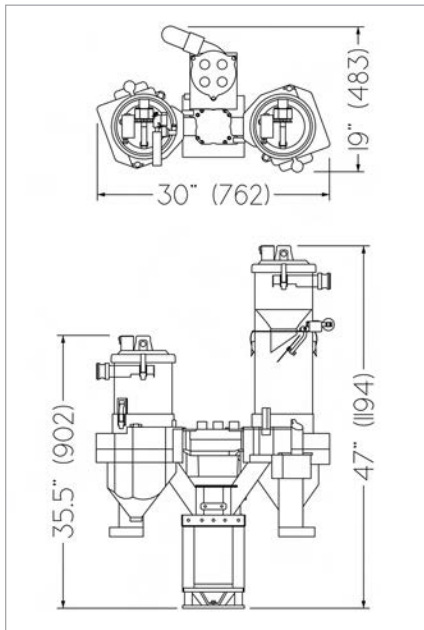


GA-402

Gravimetric Blender with Loading System

2-Components:

- 1 metered natural resin
- +
- 1 metered ingredient

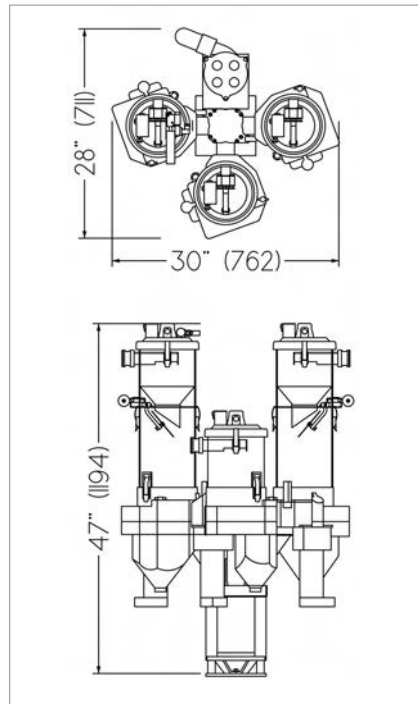


GA-403

Gravimetric Blender with Loading System

3-Components:

- 1 metered natural resin
- +
- 2 metered ingredients



GA-404

Gravimetric Blender with Loading System

4-Components:

- 1 metered natural resin
- +
- 3 metered ingredients

