



GS-500 Series Side-Mount Gravimetric Flood Fed

Auto-Disc™ Model GS-502

HL-020



GS-502 equipped with CB-100 loading system, HL-020 loader, AC-006 16" stainless steel hopper, and AC-008 stainless steel hopper lid with quick-release clamp

Added Flexibility and Expandability in Blending.

Our GS-500 series systems synchronously and accurately blend one gravity or flood fed natural resin with up to four metered ingredients (color, additive, regrind). These side-mount units accept large dryers, hoppers, and central loading receivers for press-mount applications. There is no mechanical mixing. Our Auto-Disc™ feeders meter material, in real time, directly on the machine throat throughout the entire recovery period, to provide a homogeneous blend. All GS models feed up to 4000 lbs (1800 kg) of material per hour. The GS-502 is a 2-component system (1 flood fed natural resin and 1 metered ingredient); the GS-503 is a 3-component system (1 flood fed natural resin and 2 metered ingredients); the GS-504 is a 4-component system (1 flood fed natural resin and 3 metered ingredients); and the GS-505 is a 5-component system (1 flood fed natural resin and 4 metered ingredients). A completely modular design allows for easy expansion from a 2-component system up to a 5 component system.

GS series gravimetric flood fed systems have completely self-contained push-button calibration, recipes, and security settings at your fingertips. All models fit right onto virtually any injection, extrusion, and blow molding process.

Standard Features

- Handles all pellet types and regrind
- Automatic calibration system
- Integrated material low-level sensors
- Quick-access top housings for lightning-fast color changes
- Control unit with 80-character alphanumeric LCD display
- Stores up to 250 custom recipes
- Material usage totalizer
- Multi-language operating system



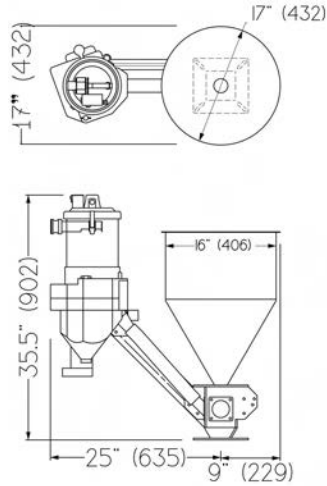
Additional top castings available for quick color changes



GS-500 Series Lineup



GS-502 shown with 16" stainless hopper and HL-020 loader



GS-502

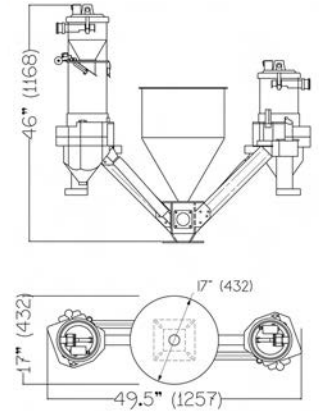
Gravimetric Blender

2-Components:

- 1 flood fed natural resin
- +
- 1 metered ingredient



GS-503 shown with 16" stainless hopper and HL-020 and HL-040 loaders



GS-503

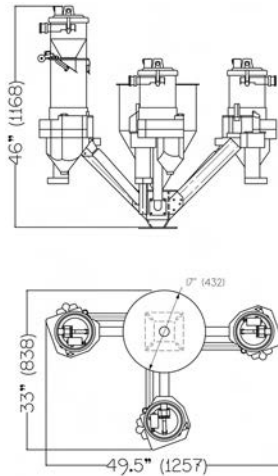
Gravimetric Blender

3-Components:

- 1 flood fed natural resin
- +
- 2 metered ingredients



GS-504 shown with 16" stainless hopper and 2 HL-020 and 1 HL-040 loaders



GS-504

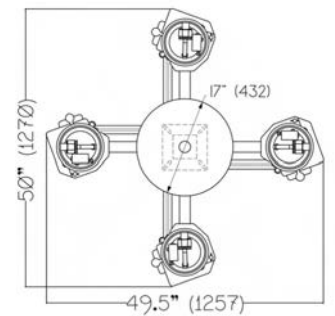
Gravimetric Blender

4-Components:

- 1 flood fed natural resin
- +
- 3 metered ingredients



GS-505 shown with 16" stainless hopper and 2 HL-020 and 2 HL-040 loaders



GS-505

Gravimetric Blender

5-Components:

- 1 flood fed natural resin
- +
- 4 metered ingredients

